

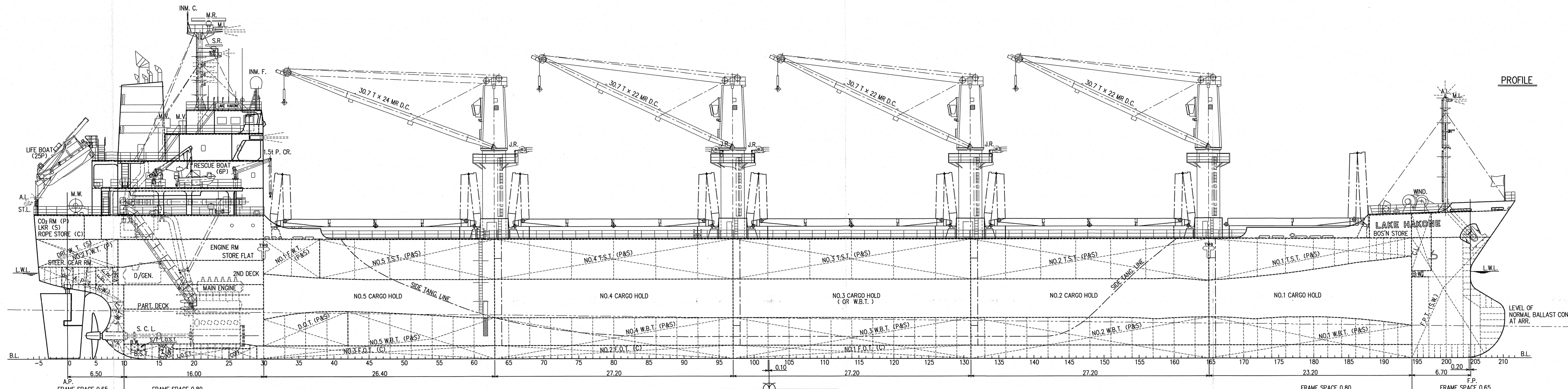
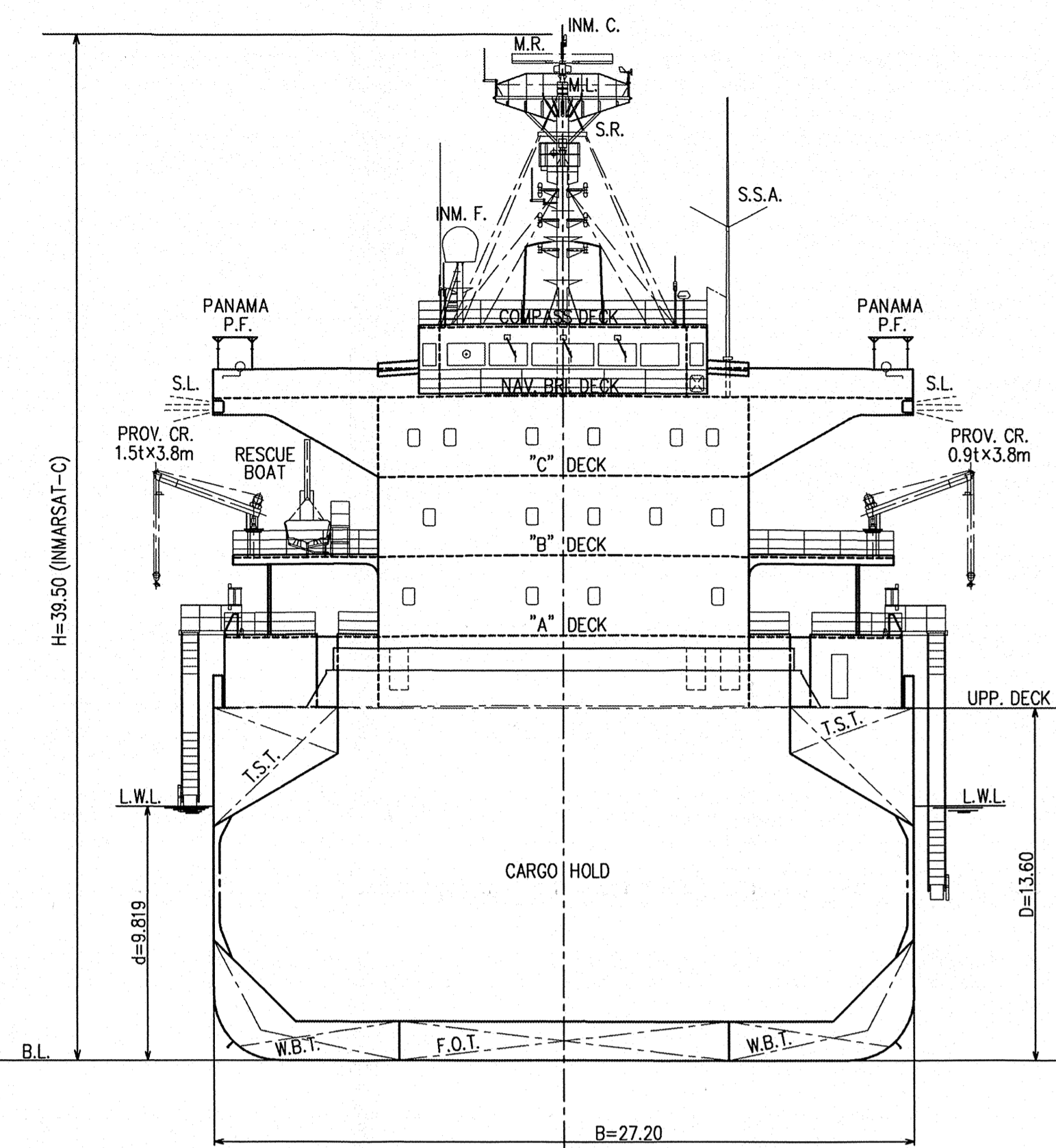
GENERAL ARRANGEMENT SCALE 1:200

M.S. LAKE HAKONE

HISTORY

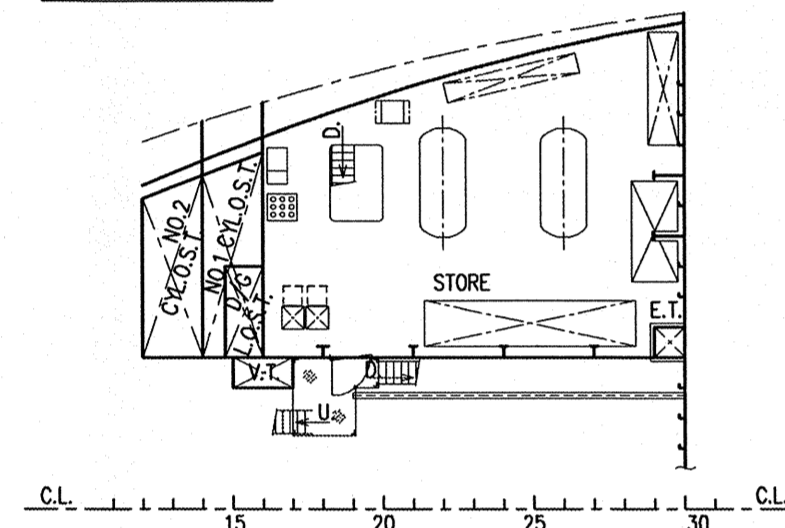
DRAWN BY THIS WORKS,
February 10, 2010

FRONT OF VIEW

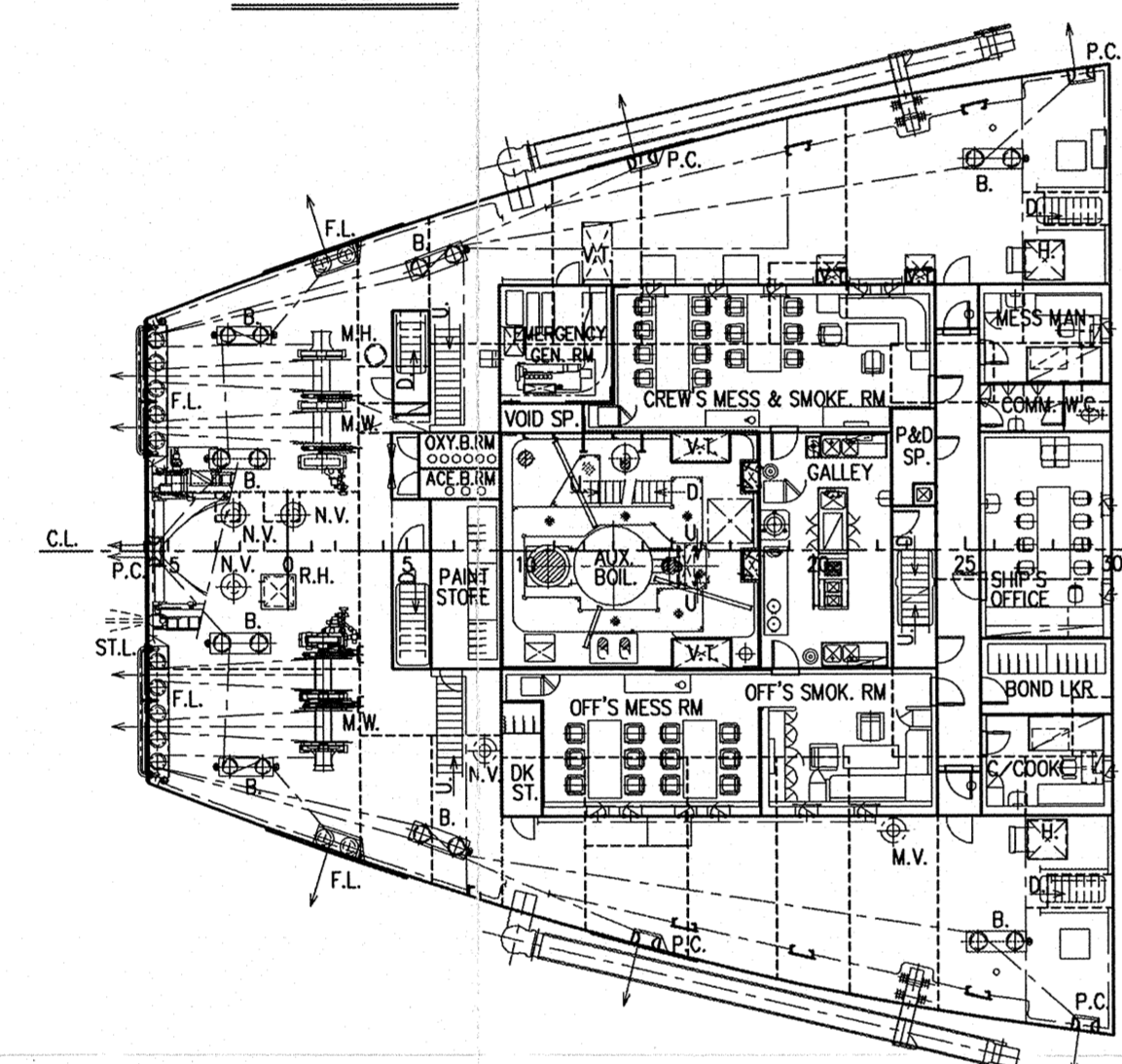


PROFILE

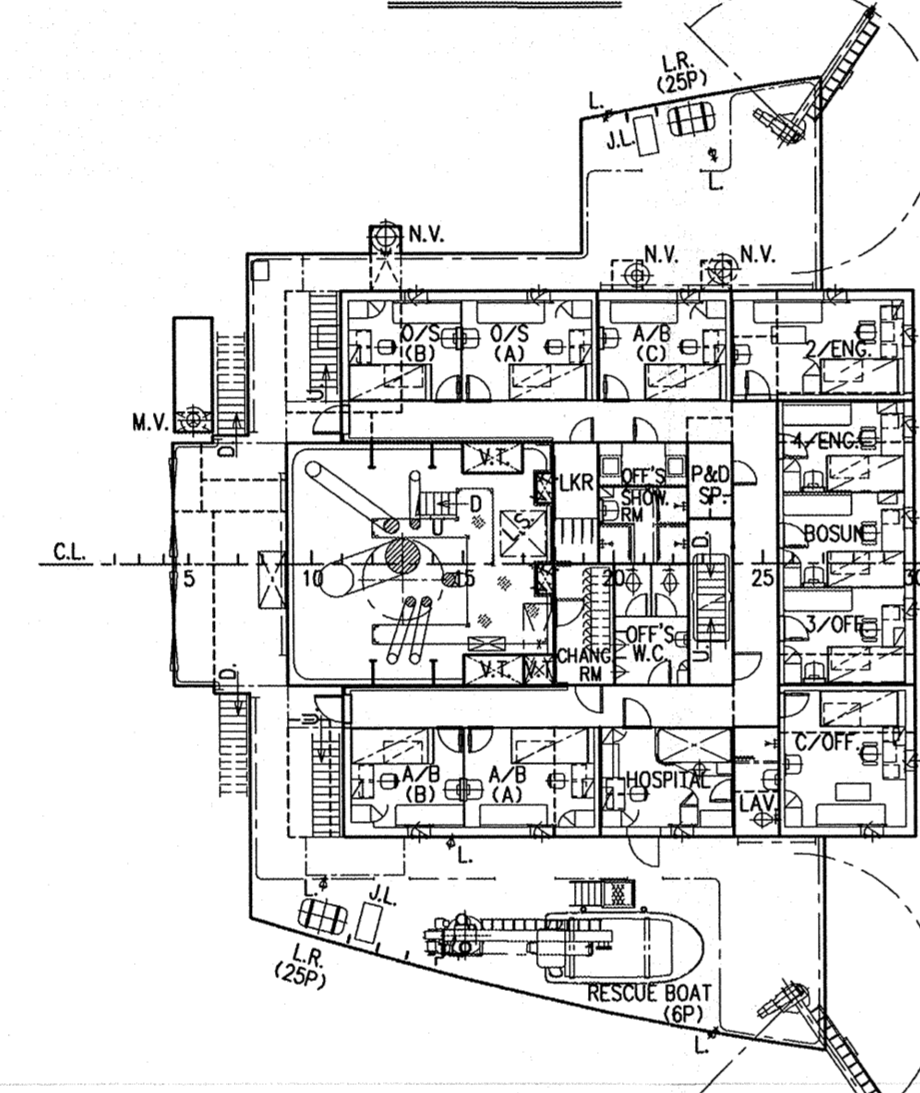
STORE FLAT



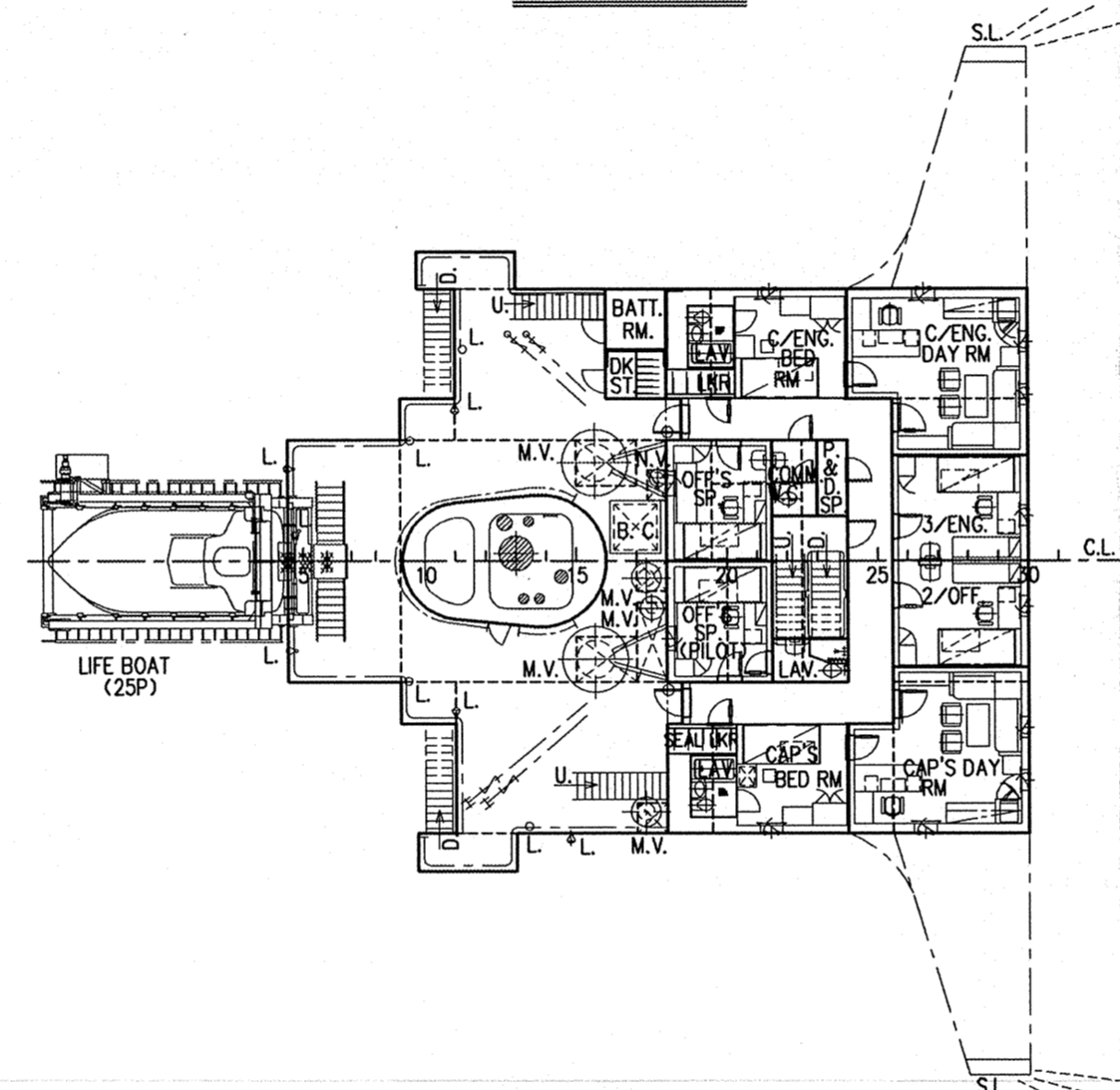
"A" DECK



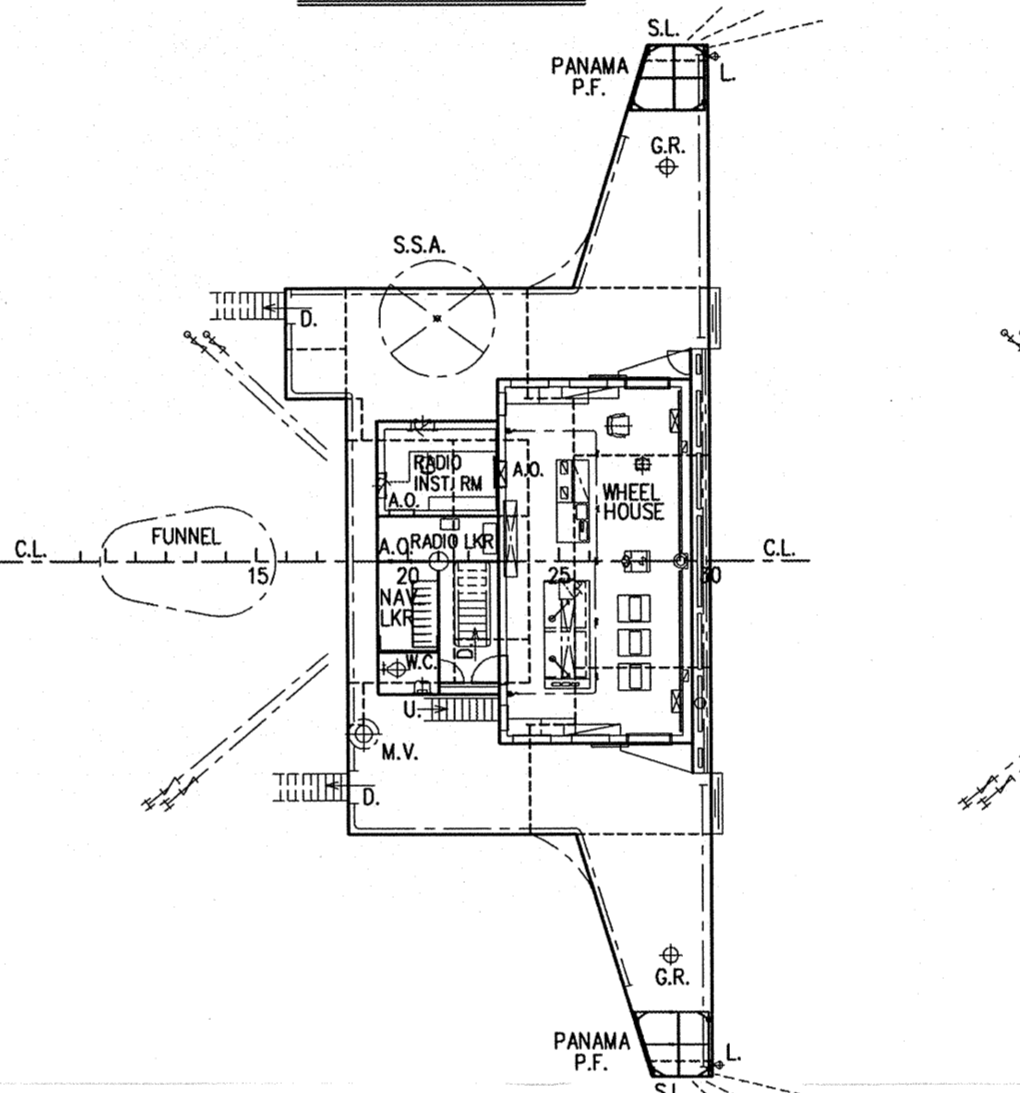
"B" DECK



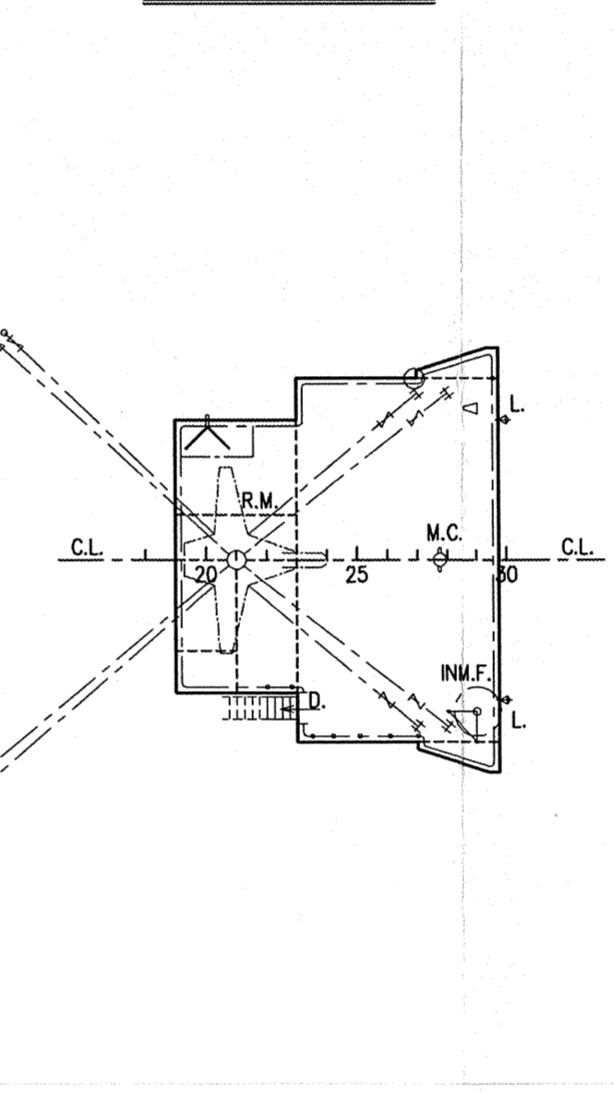
"C" DECK



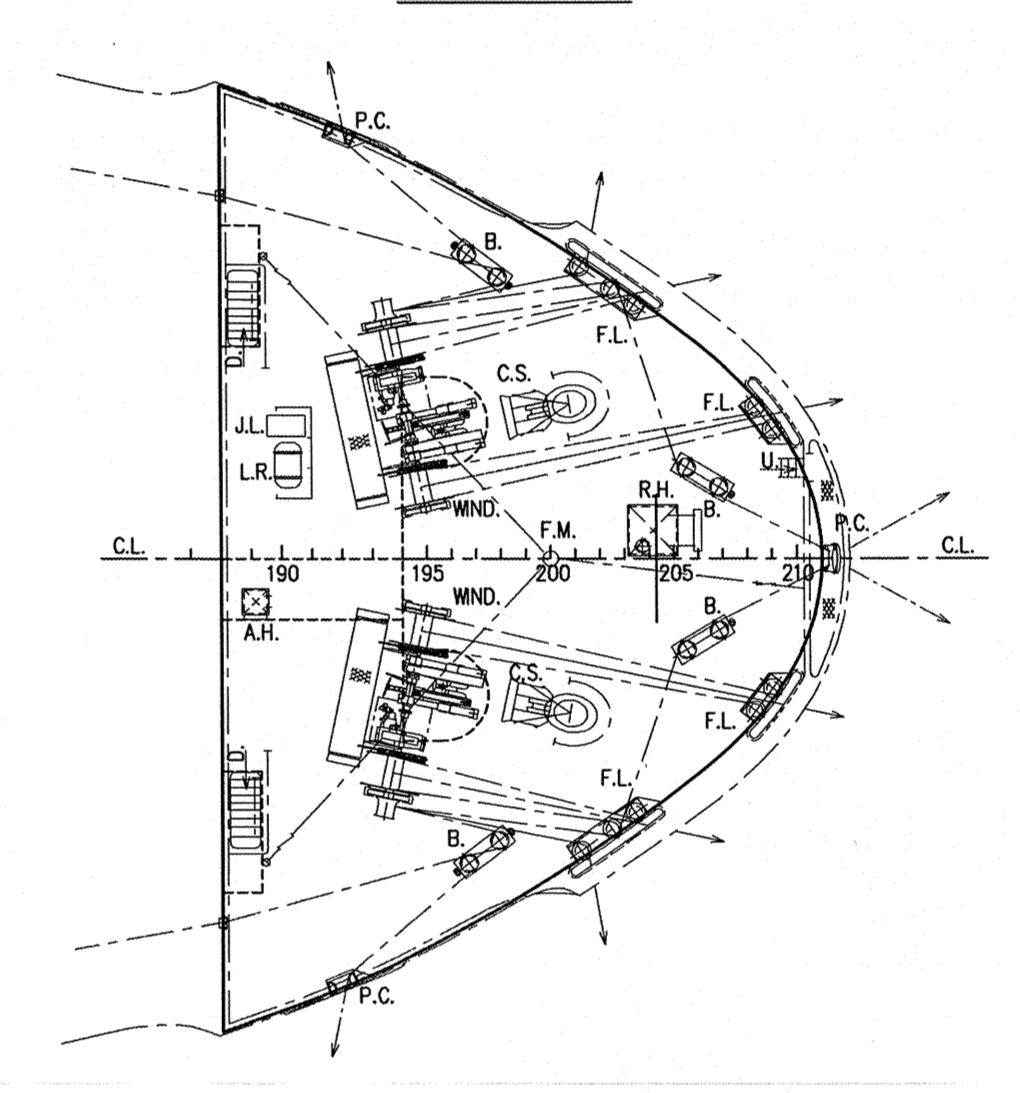
NAV. BRI. DECK



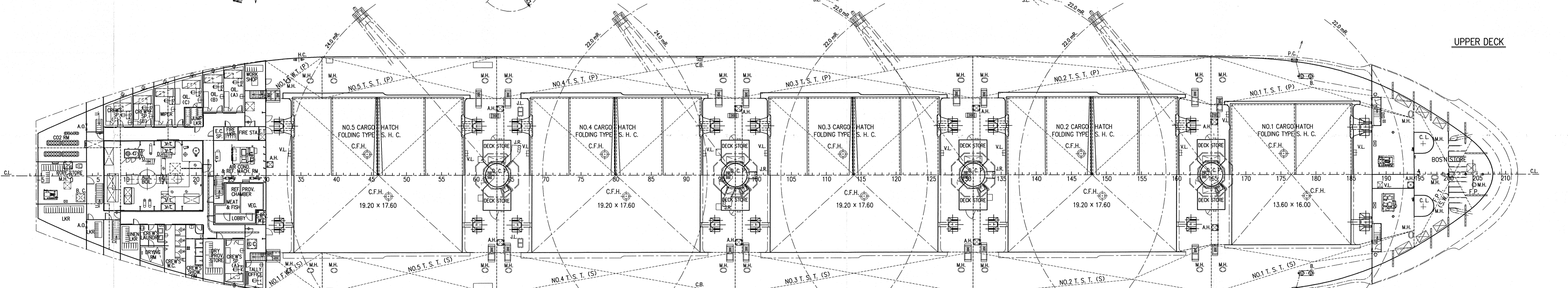
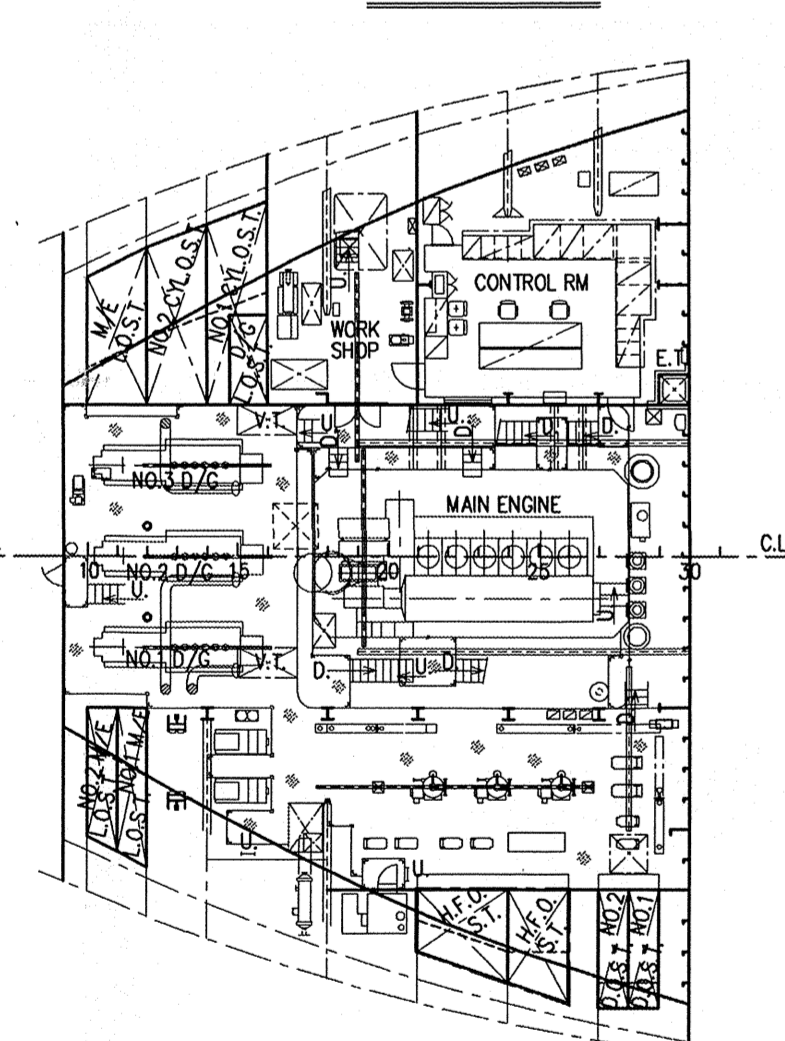
COMPASS DECK



"D" DECK

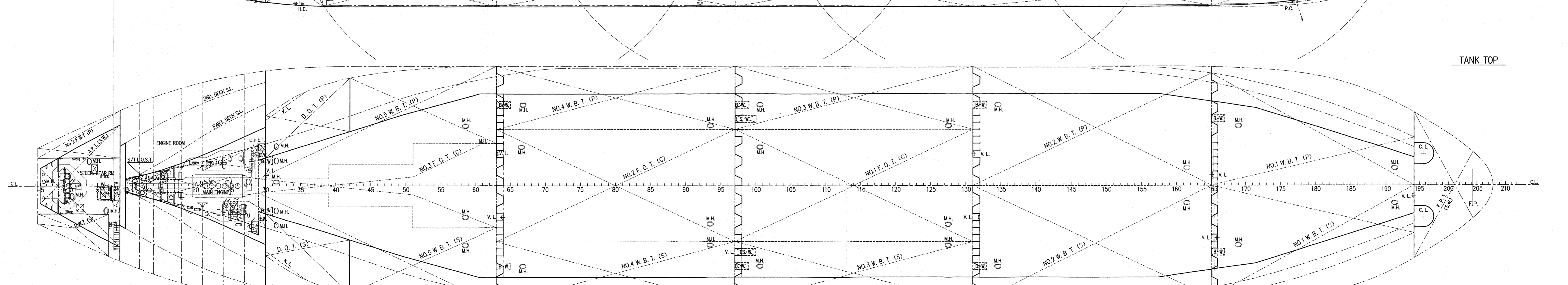
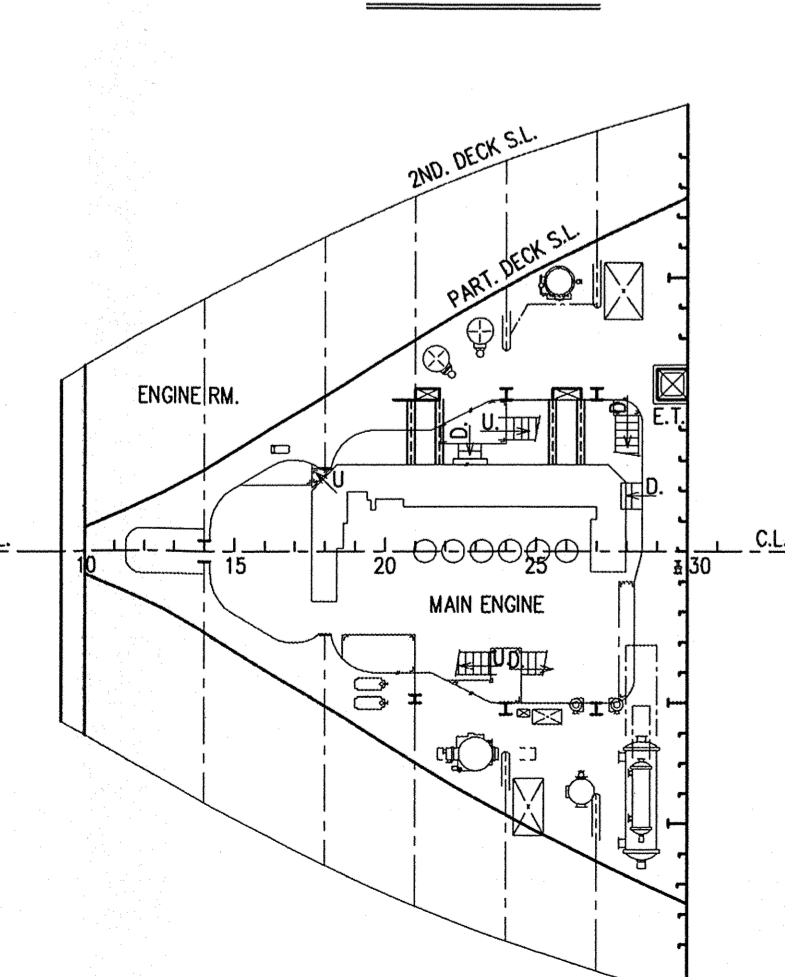


2ND DECK



UPPER DECK

PART. DECK



TANK TOP

PRINCIPAL PARTICULARS	
LENGTH (O.A.)	169.37 m
LENGTH (B.P.)	160.40 m
BREADTH (M.D.)	27.20 m
DEPTH (M.D.)	13.60 m
DRAUGHT (EXT.)	9.819 m
DEADWEIGHT	28,496 MT
GROSS TONNAGE (I.C.T.M.)	17,025
NET TONNAGE (I.C.T.M.)	10,108
MAIN ENGINE	
MAKITA-MITSUBISHI	B & W 6542MC (MARK V) x 1 set
MAXIMUM OUTPUT	5,850 kw (7,953 ps) x 129 rpm
NORMAL OUTPUT	4,970 kw (6,767 ps) x 122 rpm (85% M.C.R.)
HOLD CAPACITY : (GRAIN)	
	37,320.63 m ³
(BALE)	
	35,742.83 m ³
SPEED	
SERVICE (d = 9.70 m MLD, 85 % MCR with 15 % S.M.)	abt. 14.0 knots
TRIAL MAX.	16.234 knots
CLASS	
	NIPPON KAIKI KYOKAI (NK)
CLASSIFICATION CHARACTERS	
	NK NO. 4 - BC-A, BC-XI, GRAB, EO C.D.C. (ESP) and MNS *
INSTALLATION CHARACTERS	
	GHC, MPP, LSA, ROF, AFS
DESCRIPTIVE NOTE	
	STRENGTHENED FOR HEAVY CARGO LOADING WHERE HOLDS NOS. 2 & 4 MAY BE EMPTY

COMPLEMENT			
DECK PART	ENGINE PART	BUSINESS PART	
CAPTAIN	1 CHIEF ENGINEER	1	
CHIEF OFFICER	1 2ND ENGINEER	1	
2ND OFFICER	1 3RD ENGINEER	1	
3RD OFFICER	1 4TH ENGINEER	1	
BOATSWAIN	1	CHIEF COOK	1
ABLE SEAMAN	3 OILER	3 MESS MAN	1
ORD. SEAMAN	2 WIPER	1	
TOTAL NUMBER OF OFFICER CLASS			
8 P.			
TOTAL NUMBER OF CREW CLASS			
12 P.			
OFFICER'S SPARE (JUNIOR OFFICER CLASS)			
1 P.			
CREW'S SPARE (RATING CREW CLASS)			
3 P.			
OFFICER'S SPARE (PILOT)			
1 P.			
GRAND TOTAL			
25 P.			

CAUTION
THIS DRAWING OR DOCUMENT IS THE PROPERTY OF IMABARI SHIPBUILDING CO., LTD.
REPRODUCING, COPYING, UTILIZATION FOR PURPOSES OTHER THAN AGREED, DISCLOSURE TO A THIRD PARTY, ARE STRICTLY SUBJECT TO PRIOR WRITTEN AGREEMENT BY IMABARI SHIPBUILDING CO., LTD.



LADY ALLAR

FINISHED PLAN		SCALE		D.W.C.	
CON-FERRED	IMABARI DESIGN GROUP BASIC DESIGN TEAM	1/200		C-0200	
APPROVED	T. Morie	M.S. "LAKE HAKONE"			
CHECKED	S. Fujisawa	IMO 9550278			
ISSUED	X. Yoshida	GENERAL ARRANGEMENT			
SHIP NO.	S-A018	CLASS	NK	SCALE	1/200
				D.W.C.	C-0200